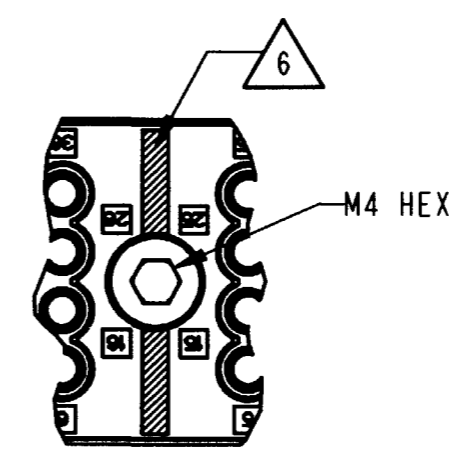


REV B DRC18-40SA *

REVISIONS			
SYM	DESCRIPTION	DATE	APPROVED
NC	NEW RELEASE PER E.O. A8035	10/5/88	J.A.
A	REVISED PER E.O. P15940	3/31/99	RDR
B	REVISED PER E.O. P16762	7-21-00	RDR



TOP VIEW

△ 6 SEAL TYPE	CONTACT SIZE	MIN. INSUL. OD [mm]	MAX. INSUL. OD [mm]	WIRE RANGE [mm ²] REF ONLY △ 4
NORMAL	16	.100 [2.540]	.134 [3.404]	14-18 AWG [2.0-.75]
E	16	.053 [1.346]	.120 [3.048]	14-20 AWG [2.0-0.50]

- 8. MATERIAL- PLUG: PLASTIC (BLACK); SEAL/GROMMET: RUBBER; BOLT/CLIP: STEEL.
- 7. MATING TORQUE REQUIREMENT: 25-28 IN-LB [2.82-3.16 Nm].
- △ 6 WHEN *=E: BLUE STRIP IDENTIFIES "E" SEAL.
- 5. THIS PLUG MATES WITH DRC12-40PA*-****; DRC13-40PA*-****; DRC14-40PA*-**** (****=ALL MODIFICATIONS). CONSULT FACTORY FOR MODS.
- △ 4 FOR CONTACTS AND WIRE PERFORMANCE AND APPLICATION CHARACTERISTICS, SEE ENVELOPE DRAWING 0425-015-0000.
- 3. PLUG SUPPLIED WITH DUST CAP. (NOT SHOWN).
- 2. DIMENSION TOLERANCE: ±.025 [.635].

NOTES: 1. DIMENSIONS ARE IN INCHES [mm].

SIGNATURE & DATE	
DR	J. APOSTOL 13 JUL 2000
CHK	D. Meyer 7/21/00
PE	D. Meyer 7/21/00
APPD	R. Reed 7-21-00
SCALE	NONE
WT	---

PLUG KEY ARRANGEMENT -A- SERVICEABLE CONTACTS DRC 40 SERIES

ENVELOPE

CP	MATL. CODE
The Deutsch Company DEUTSCH I.P.D. 3850 INDUSTRIAL AVE. HEMET, CALIF. 92545	
B	DRC18-40SA*
DWG SIZE	CODE 11139 SHEET 1 OF 1